

## 03TA Series Parts List (P112/HE60)

**Note:** The 03TA (P112F or HE60 Series) began production in 1998 with Cutler-Hammer control panel components. In mid-1999, the control panel was changed to include Allen-Bradley I.E.C. components.

### Control Panel Components (Allen Bradley Panel)

<u>Part Number</u>	<u>Req'd</u>	<u>Description</u>
12A7500E61	1	A/B SELECTOR SWITCH, 3 POSITION <i>"Ice/Off/Clean" Selector Switch</i>
12A7500E77	1	CONTACT BLOCK/MOUNTING LATCH, 2-NO, 1-NC
12A7500E56	1	A/B PUSH BUTTON SWITCH (GREEN) <i>"Start" Push-Button Switch</i>
12A7500E73	1	CONTACT BLOCK/MOUNTING LATCH, 2-NO <i>Contacts for "Start" Switch</i>
12A7500E57	1	A/B PUSH BUTTON SWITCH (RED) <i>"Stop" Push-Button Switch</i>
12A7500E76	1	CONTACT BLOCK/MOUNTING LATCH, 1-NC <i>Contacts for "Stop" Switch</i>
12A7503E22	1	THAW TIMER, 8 PIN PLUG-IN, 100-240V., 50/60HZ <i>Replaces all other timers (includes base below)</i>
12A7503E2201	1	TIMER BASE #0T08-PC, EIGHT PIN PLUG-IN
12B7503E18	1	ELAPSED TIME INDICATOR, 230V, 60HZ PANEL MOUNT
12B7503E17	1	ELAPSED TIME INDICATOR, 220V, 50HZ PANEL MOUNT
12A7515E21	1	CONTROL CIRCUIT CIRCUIT BREAKER, 3 AMP, 2-POLE
12A7517E27	1	A/B RELAY, 10A, 2-NO/2-NC, 208/240 <i>"CR" Relay</i>
12A7516E23	1	A/B CONTACTOR, 9-AMP, 3-POLE, 208/240V W/1-NO AUX <i>Power Failure Relay</i>
12A2117E04	1	FREEZER PRESSURE SWITCH-R22
12A7516E30	1	A/B CONTACTOR, 72AMP, 3-POLE, 208/240V COIL <i>Compressor Motor Contactor (CC)</i>
12A7518E30	1	A/B AUX. CONTACT, 3A, 1 NO/1 NC, (SIDE MOUNT)
12A7518E31	1	A/B AUX. CONTACT, 3A, 2 NO, (SIDE MOUNT)
12A7518E32	1	A/B AUX. CONTACT, 5A, 2 NO, TOP MOUNT
12A7515E08	1	CIRCUIT BREAKER, 15 AMP. WESTINGHOUSE <i>Cutter/Pump Circuit Breaker or Air-Cooled Cond-400/460v</i>
12A7515E09	1	CIRCUIT BREAKER, 30 AMP. WESTINGHOUSE <i>Air-Cooled Condenser Circuit Breaker-208/230v</i>
12A7516E23	2	A/B CONTACTOR, 9-AMP, 3-POLE, 208/240V W/1-NO AUX <i>Cutter/Pump Contactor</i>
12A7518E33	2	A/B AUX. CONTACT, 6A, 1 NO, SIDE MOUNT <i>Cutter/Pump Contactor Auxillary Contact</i>

**03TA Series Parts List  
(P112/HE60)**

**Control Panel Components (Con'd) (Allen Bradley Panel)**

<u>Part Number</u>	<u>Req'd</u>	<u>Description</u>
12A7530E54	1	MANUAL MOTOR STARTER, 1.6-2.5 AMP OVERLOAD <b>Cutter Motor-208/230v or Water Pump-460v</b>
12A7530E56	2	MANUAL MOTOR STARTER, 4.0-6.3 AMP OVERLOAD <b>Water Pump-208/230v</b>
12A7530E52	2	MANUAL MOTOR STARTER, 0.63-1.0 AMP OVERLOAD <b>Cutter Motor-460v</b>
12A7530E53	2	MANUAL MOTOR STARTER, 1.0-1.6 AMP OVERLOAD <b>Cutter Motor-400v, 50hz</b>
12A7530E55	2	MANUAL MOTOR STARTER, 2.5-4.0 AMP OVERLOAD <b>Water Pump-400v, 50hz</b>
12A7516E26	1	A/B CONTACTOR, 23-AMP, 3-POLE, 208/240V W/1-NC AUX <b>Condenser Fan Contactor (Air-cooled only)</b>

**Control Panel Components (Cutler-Hammer Panel)**

<u>Part Number</u>	<u>Req'd</u>	<u>Description</u>
12A7500E08	2	SWITCH, TOGGLE, STEMCO #1145, <b>"Ice/Clean" toggle switch or "On/Off" toggle switch</b>
12A7500E17	1	C/H PUSH-BUTTON SWITCH (GREEN) W/START NAMEPLATE
12A7518E03	1	C/H CONTACT BLOCK FOR PUSH-BUTTON SW (1-N/O,1-N/C) <b>Secondary contact for "Start" push-button switch</b>
12A7500E15	1	C/H PUSH-BUTTON SWITCH (RED) W/STOP NAMEPLATE
12A7503E22	1	THAW TIMER, 8 PIN PLUG-IN, 100-240V., 50/60HZ <b>Replaces all other timers (includes base below)</b>
12A7503E2201	1	TIMER BASE #0T08-PC, EIGHT PIN PLUG-IN
12B7503E18	1	ELAPSED TIME INDICATOR, 230V, 60HZ PANEL MOUNT
12B7503E17	1	ELAPSED TIME INDICATOR, 220V, 50HZ PANEL MOUNT
12A7502E07	2	FUSE HOLDER,LITTEL FUSE SHOCK
12A7504E1	2	CONTROL CIRCUIT FUSE,2.5 AMP (ORDER MULTIPLES OF 5)
12A7517E18	1	C/H RELAY #D15CRY1 (W/ 2-N/O, 2-N/C) <b>"CR" Relay, replaces Furnas 12A7517E15 &amp; P/B 12A7517E08</b>
12A7516E09	1	CONTACTOR / CUTLER-HAMMER 2-POLE, 10AMP <b>Power Failure Relay</b>
12A2117E04	1	FREEZER PRESSURE SWITCH-R22
12A7516E22	1	CONTACTOR C/H #CE15KN3B, 3 POLE, 220/240V
12A7518E15	1	AUX CONTACT / CUTLER-HAMMER #C32OKGS3, 1-NO/1-NC
12A7518E16	1	AUX CONTACT / CUTLER-HAMMER #C32OKGS4, 2-NO
12A7518E21	1	AUX CONTACT / CUTLER-HAMMER #C320KGT4, 2-NO

**03TA Series Parts List  
(P112/HE60)**

**Control Panel Components (Con'd) (Cutler-Hammer Panel)**

<u>Part Number</u>	<u>Req'd</u>	<u>Description</u>
		<b>Compressor Motor Contactor (CC)</b>
12A7515E08	1	CIRCUIT BREAKER, 15 AMP. WESTINGHOUSE <b>Cutter/Pump Circuit Breaker or Air-Cooled Cond-400/460v</b>
12A7515E09	1	CIRCUIT BREAKER, 30 AMP. WESTINGHOUSE <b>Air-Cooled Condenser Circuit Breaker-208/230v</b>
12A7530E11	2	C/H STARTER #AE16BNY, 3-POLE <b>Cutter/Pump Motor Starter</b>
12A7518E16	1	AUX CONTACT / CUTLER-HAMMER #C32OKGS4, 2-NO
12A7508H2006	1	C/H HEATER PACK #H2006B 1.79-2.90 AMP <b>Cutter Overload for 208/230v, Pump Overload for 460v</b>
12A7508H2008	1	C/H HEATER PACK #H2008B 3.23-5.23 AMP <b>Pump Overload for 208/230v</b>
12A7508H2004	1	C/H HEATER PACK #H2004B .814-1.21 AMP <b>Cutter Overload for 460v</b>
12A7508H2007	1	C/H HEATER PACK #H2007B 2.15-3.49 AMP
12A7508H2009	1	C/H HEATER PACK #H2009B 4.55-7.40 AMP
12A7508H201	1	C/H HEATER PACK #H2010B 6.75-11.0 AMP
12A7508H2011	1	C/H HEATER PACK #H2011B 9.14-14.0 AMP
12A7508H2013	1	C/H HEATER PACK #H2013B 18.7-30.7 AMP
12A7508H2015	1	C/H HEATER PACK #H2015B 29.0-39.5 AMP
12A7508H2016	1	C/H HEATER PACK #H2016B 39.6-57.4 AMP
12A7508H2017	1	C/H HEATER PACK #H2017B 53.9-74.9 AMP
12A7516E26	1	A/B CONTACTOR, 23-AMP, 3-POLE, 208/240V W/1-NC AUX <b>Condenser Fan Contactor (Air-cooled only)</b> <b>Replaces C/H 12A7516E1</b>

**Additional Electrical Components**

<u>Part Number</u>	<u>Req'd</u>	<u>Description</u>
12A2117G01	2	A/B THERMOSTAT, 15FT <b>Optional (BT)</b>
12A2117G04	2	A/B THERMOSTAT, 15FT WITH ENCLOSURE <b>Optional (BT)</b>
12A2117G09	2	ELECTRONIC BIN THERMOSTAT <b>Optional (BT)</b>
12A2117D01	1	HI/LOW PRESSURE SWITCH
12A2117A05	1	SENTRONIC OIL PRESSURE SAFETY CONTROL
12A2117A0501	1	REPLACEMENT SENSOR #998-0162-00 FOR SENTRONIC OPS

**03TA Series Parts List  
(P112/HE60)**

**Additional Electrical Components (Con'd)**

<u>Part Number</u>	<u>Req'd</u>	<u>Description</u>
12A2117F05	1	CONDENSER FAN CONTROL SWITCH
12A7519E03	1	CONTROL CIRCUIT TRANSFORMER, 460V-230V, 1KVA <i>For 60HZ Machines</i>
12A7519E02	1	TRANSFORMER, GE #9T51B0170, 1KVA <i>For 50HZ Machines</i>
12A7700P01	1	LINEBACKER PHASE PROTECTOR <i>Optional</i>

**Freezer Components**

<u>Part Number</u>	<u>Req'd</u>	<u>Description</u>
12B2185N11	78	1" WATER DISTRIBUTOR SANOPRENE NO VENT
12B2185N21	48	1-1/4" WATER DISTRIBUTOR SANOPRENE NO VENT
12A2600G01	1	FREEZER COVER GASKET 13" OD X 11 11/16" ID X 3/16"
12A2145C09	1	COVER, FREEZER, 12" TYPE 304 CAST STAINLESS STEEL
12A2222H1118	8	STUD BOLT, 3/8"-16NC X2 3/4"LG
12A2240H4109	8	NUT, WING, BRASS, 3/8"-16NC
12A2250A109	8	WASHER, CUT 3/8" x 7/8" O.D. SS
12A4200L0402	1	RELIEF VALVE #3020 SET @ 350#, 1/2" MPT x 5/8" SAE
12A4200G0201	1	VALVES, 1/4" MPT X 1/4" SAE <i>Freezer Purge Valve</i>
12A4009R01		PLUG, RUBBER 7/8" OD X 2" LG FOR 1" TUBES
12A2215H1116	1	CAP SCREW, 3/8"-16NC X 2-1/4" LONG <i>(Use this bolt for 1" tubes)</i>
12A2250A109	2	WASHER, CUT 3/8" x 7/8" O.D. SS <i>(Use this washer for 1" tubes)</i>
12A4009R02		PLUG, RUBBER 1"OD X 2 1/2"LG FOR 1-1/4" TUBES
12A4009R03		PLUG, RUBBER 1 1/4"OD X 2 1/2" FOR 1-1/2" TUBES
12A2215H1119	1	CAP SCREW, 3/8"-16NC X 3" LONG <i>(Use this bolt for 1-1/4" or 1-1/2" tubes)</i>
12A2250A12	2	WASHER, CUT 3/8" x 1" O.D. SS <i>(Use this washer for 1-1/4" or 1-1/2" tubes)</i>
12A2240A1109	1	NUT, HEX 3/8"-16NC S.S.
12A7500E22	1	FLOAT SWITCH, HANSON #HLL (DIFFERENTIAL SET @ 1/2")
12A7500E24	1	SWITCH ASSEMBLY #HLL-SW FOR HANSON
12A2600F01	2	FLANGE GASKET FOR 3/4" & 1" 2-BOLT FLANGE
12A4200G0301	1	CHARGING VALVE, 3/8 MPT X 1/2 SAE FLARE
12A2451R01	1	REDUCER WITH GASKET 1/2" SAE X 1/4" SAE
12A2451C01	1	CAP, WC, 1/4" FLARE, WITH NEOPRENE SEAL
12A2055B02	1	BRUSH, STAINLESS STEEL #GTC210 FOR 1" TUBES
12A2055B04	1	BRUSH, STAINLESS STEEL #GTC210 FOR 1 1/4" TUBES

## 03TA Series Parts List (P112/HE60)

### Compressors

Compressors include junction box and overloads. Shipping weight 575lbs.		
<u>Part Number</u>	<u>Req'd</u>	<u>Description</u>
12A2110A105	1	COMPRESSOR, COPELAND DISCUS 3DE3-0750-TFC-200 <i>R-22, 208/230V-3P-60HZ</i>
12A2110A106	1	COMPRESSOR, COPELAND DISCUS 3DE3A0750-TFD <i>R22, 460V-3P-60HZ</i>
12A2110A108	1	COMPRESSOR, COPELAND DISCUS 3DP3A1000-TFD <i>R-22, 380/420V-3P-50HZ</i>
12A2110A121	1	COMPRESSOR, COPELAND DISCUS 3DP3A100E-TFD-201 <i>R404A, 380/420V-3P-50HZ</i>

### Compressor Accessories

<u>Part Number</u>	<u>Req'd</u>	<u>Description</u>
12A7509E12	1	CRANKCASE HEATER #518-0028-01 100 WATT INSERTION
12A2110P0904	1	UNLOADER PKG FOR 3DA, 3DE, 3DH COPELAND COMP
12A2105C24	1	UNLOADER COIL #023-0039-2, 208/230V COPELAND
12A2105C20	1	UNLOADER COIL #023-0041-01, 120V COPELAND
12A7523E14	2	KLIXON OVERLOAD 9980524-00-COPELAND DISCUS
12A2117A05	1	SENTRONIC OIL PRESSURE SAFETY CONTROL

### Cutter Drive Parts

<u>Part Number</u>	<u>Req'd</u>	<u>Description</u>
12A2900M0508	1	CUTTER MOTOR, 1/2HP 208/230/460V-3P-50/60HZ
12A4030R12	1	GEAR REDUCER, GROVE 10:1 WASHDOWN W/VENT PLUG
19T3020C01	1	GEAR OIL, 10 OUNCE BOTTLE, TEXACO CYGNUS
19T2615D01	1	CUTTER DRIVE GEAR TI-59 W/O HUB
12A2160H0101	1	CUTTER DRIVE GEAR HUB 5/8" BORE
12A2215F1112	3	CAP SCREW, 1/4"-20NC X 1 1/4" Long SS <i>Hub mounting screws</i>
12A2250B107	3	WASHER, LOCK 1/4" SS ( 300 SERIES)

### Cutter Internals

<u>Part Number</u>	<u>Req'd</u>	<u>Description</u>
12B2020R04	1	HE ( UHMW ) CUTTER BEARING
12A3040S02	1	CUTTER BEARING ROLL PIN 3/16" X 1/2"
19T2025B0103	1	BEARING BRACKET FOR 12" CUTTER
19T2170D01	1	ICE DEFLECTOR DOOR

**03TA Series Parts List  
(P112/HE60)**

**Cutter Internals (Con'd)**

<u>Part Number</u>	<u>Req'd</u>	<u>Description</u>
12A4071S03	1	RIVET, 3/16 X 2 1/4 FLAT HD. FOR ICE DELECTOR DOOR
19T2163D0101	1	CUTTER DISC, STAINLESS STEEL FOR 12" CUTTER
12A3040S01	1	CUTTER DISC ROLL PIN, 1/4" X 1 1/2"
19T4073R07	1	CUTTER DISC ROLL PIN TOOL
19T2160C0101	1	HE CUTTER ASSEMBLY, INVESTMENT CAST SS
19T2010A01	1	ADAPTOR PLATE FOR HE 1" DIAMETER x 3/4" LG ICE <i>Mounting screws below thread directly into lower plate</i>
12A2226F1108	4	MACHINE SCREW, FLAT HEAD SS, 1/4" x 3/4"
19T2090C07	1	HE ICE CHUTE ASSEMBLY FOR SINGLE TYPE ICE

**Water Tank & Circulating Water**

<u>Part Number</u>	<u>Req'd</u>	<u>Description</u>
12A2600G12	1	WATER TANK GASKET 16 1/8" OD x 14" ID x 3/16" THK
12A4200H0401	1	FLOAT VALVE, 1/2" ROBERTS #RM214
12A2240C4111	1	BRASS HEX NUT FOR MAKEUP FLOAT VALVE
12A4020G01	1	PUMP, GOULD NPE 3ST, 1.5 HP, 208/230/460-3-50/60 3-5/8" IMP
12A4080S12	1	SEAL, PUMP FOR GOULD NPE 3ST 1-1/2 HP
12A4181T06	7	TUBING, TYGON B-44-3, 1-1/2" OD x 1-1/4" ID <i>Circulating Water (Priced per ft)</i>
12A4181T07	1	TUBING, TYGON B-44-3, 2" OD x 1-1/2" ID <i>Pump Suction (Priced per ft)</i>
12A2450E17	2	ELL, PVC, 90 DEG. 1-1/4" MPT x 1-1/4" INSERT
12A2450B02	1	BUSHING, PVC, 1-1/2" MPT x 1-1/4" FPT
12A2450B12	1	BUSHING, PVC, 2" MPT X 1 1/4"
12A1501S26	1	PVC DRAIN / BLOWDOWN ASSEMBLY
12A4181T08	1	TUBING, TYGON B-44-3, 3/8" OD x 1/4" ID <i>Blowdown (Priced per ft)</i>
12A4181T04	2	TUBING, TYGON B-44-3, 1-1/4" OD x 1" ID <i>Drain (Priced per ft)</i>
12A2450A01	1	ADAPTER, MALE, PVC, 3/4" MPT x 3/4" SLIP
12A2100C0201	4	CLAMPS, SS HOSE, 13/16" x 1 3/4"
12A4200G0101	1	PET COCK VALVE, 1/8" MPT x 1/4" HOSE
12A2451B01	1	BUSHING, BRASS, 1/4" MPT X 1/8"

**03TA Series Parts List  
(P112/HE60)**

**Water-Cooled Condenser**

<u>Part Number</u>	<u>Req'd</u>	<u>Description</u>
12A2115S0109	1	CONDENSER, STANDARD #HSE-10
12A2600S08	1	GASKET #1066 FOR HSE-10 INLET SIDE
12A2600S09	1	GASKET #1057 FOR HSE-10 RETURN SIDE
12A4200L0408	1	RELIEF VALVE #3020 SET @ 400#, 1/2" MPT x 5/8" SAE
12A4200G0201	1	VALVES, 1/4" MPT X 1/4" SAE
12A4200E1001	1	WATER REGULATING VALVE, 1-1/4" FPT
12A2055B01	1	CONDENSER CLEANING TOOL, ADJUSTABLE 3/8" x 1/2" ID

**Air-Cooled Condenser**

<u>Part Number</u>	<u>Req'd</u>	<u>Description</u>
12A2115KS231	1	CONDENSER, HDD-231, 50/50 SPLIT COIL & CONTROLS
12A2900M0505	1	CONDENSER FAN MOTOR, 1/2HP 208/230/460-3-50/60
12A2115P0401	1	CONDENSER, FAN BLADE 213455000, 24"
12A7516E26	1	A/B CONTACTOR, 23-AMP, 3-POLE, 208/240V W/1-NC AUX <b>Condenser Fan Contactor (Air-cooled only)</b> <b>Replaces Furnas 12A7516E06 and C/H 12A7516E1</b>
12A2117F05	1	CONDENSER FAN CONTROL SWITCH
12A4200B0701	1	CHECK VALVE, 7/8" O.D.
12A4200A0904	1	VALVES, SOLENOID, SPORLAN 1-1/8" ODC 208/230V-50/60HZ <b>Discharge Line (X-Valve)</b>

**Receiver**

<u>Part Number</u>	<u>Req'd</u>	<u>Description</u>
12A2625G08	1	GAGE GLASS 1/2" X 18 7/8" LONG <b>For Brass Gage Cock Valves</b>
12A2625G10	1	GAGE GLASS, 1/2" X 20" LONG <b>For Steel Gage Cock Valves</b>
12A2635G07	1	GAGE GLASS GUARD SET, 17 5/8"
12A4199V26	2	GAGE GLASS PACKING O-RING FOR 1/2" DIAMETER
12A4200J0405W	1	UPPER GAGE COCK VALVE, WESTERMAYER PLATED <b>Replaced Brass Valve 12A4200J0403 - May 1999</b>
12A4200J0406W	1	LOWER GAGE COCK VALVE, WESTERMAYER PLATED <b>Replaced Brass Valve 12A4200J0404 - May 1999</b>
12A3050C0301	2	PIPE NIPPLE, 1/2" X 1-1/2" LONG
12A4200L0408	1	RELIEF VALVE #3020 SET @ 400#, 1/2" MPT x 5/8" SAE
12A4200R0801	1	ROTA-LOCK VALVE W/NEUTRAL PORT 1-1/8" SWT x 1-1/4"-12 <b>Thawing Gas Outlet Valve</b>

**03TA Series Parts List  
(P112/HE60)**

**Receiver (Con'd)**

<u>Part Number</u>	<u>Req'd</u>	<u>Description</u>
12A4200R0402	1	ROTA-LOCK VALVE W/NEUTRAL PORT 5/8" IDS x 1-14 THREAD <i>Liquid Return Valve</i>
12A4200R0401	1	ROTA-LOCK VALVE HORIZONTAL 1/2" ID SWT x 1-14 THREAD <i>Liquid Line (King) Valve</i>
12A2600T01	1	ROTA-LOCK PRIMORE TEFLON SEAL FOR 1-1/4-12 THREAD
12A2600T02	2	ROTA-LOCK PRIMORE TEFLON SEAL FOR 1-14 THREAD

**Discharge Line & Oil Return**

<u>Part Number</u>	<u>Req'd</u>	<u>Description</u>
12A3025S14	1	OIL SEPARATOR, TEMPRITE #924, 1 1/8 ODC CONNECTIONS <i>Accessible Coalescent Type</i>
12A2451R02	1	FLARE ADAPTOR, 3/8" (F) SAE x 1/4" (M) SAE
12A4200G0201	1	VALVES, 1/4" MPT X 1/4" SAE <i>Oil Return Stop Valve</i>
12A2742S05	1	SUPERHOSE ASSY, 42" LONG, 1/4" <i>Compressor to Oil Separator</i>
12A4200A0904	1	VALVES, SOLENOID, SPORLAN 1-1/8" ODC 208/230V-50/60HZ <i>(X-Valve) Air-Cooled Only (Extended Ends)</i>
12A4199V46	1	REPAIR KIT #KS-E34 FOR SPORLAN ME34S
12A2105C16	1	COIL, #MKC-2 FOR SPORLAN 208/240V-50/60HZ
12A2975M08	1	MUFFLER, AC&R #S-6311, 1 1/8"
12A4200G0903	1	VALVES, BALL TYPE, 1 1/8" ODS <i>Discharge Line Stop Valve (Air-Cooled Only)</i>

**Suction/Liquid Line**

<u>Part Number</u>	<u>Req'd</u>	<u>Description</u>
12A2000A13	1	SUCTION ACCUMULATOR, RR HX3706 1-3/8" x 5/8"
12A2710H23	1	HEAT EXCHANGER, DOUCETTE #HLSE 1-38" x 5/8"
12A4200A0606	1	VALVES, SOLENOID, HANSEN #HS8 W/STRAINER <i>Liquid Line Solenoid (A-Valve)</i>
12A4199V51	1	REPAIR KIT #70-1001 FOR HANSEN HS8
126229	1	COIL, HANSEN #70-1063,208/240V-50/60HZ W/JUNCTION BOX
12A4200C0406	1	HAND EXPANSION VALVE, 1/2" ANGLE HANSEN
12A2140C06	1	FILTER DRIER CORE #RC-4267
12A4200R0401	1	ROTA-LOCK VALVE HORIZONTAL 1/2" ID SWT x 1-14 THREAD <i>Liquid Line (King) Valve</i>
12A2600T02	1	ROTA-LOCK PRIMORE TEFLON SEAL FOR 1-14 THREAD



**03TA Series Parts List  
(P112/HE60)**

**Thawing Gas Line**

<u>Part Number</u>	<u>Req'd</u>	<u>Description</u>
12A4200A0904	1	VALVES, SOLENOID, SPORLAN 1-1/8" ODC 208/230V-50/60HZ <i>Thawing Gas Solenoid ("D"-Valve)</i>
12A4199V46	1	REPAIR KIT #KS-E34 FOR SPORLAN ME34S
126229	1	COIL, HANSEN #70-1063,208/240V-50/60HZ W/JUNCTION BOX
12A4200G0301	1	CHARGING VALVE, 3/8 MPT X 1/2 SAE FLARE
12A2451R01	1	REDUCER WITH GASKET 1/2" SAE X 1/4" SAE
12A2451C01	1	CAP, WC, 1/4" FLARE, WITH NEOPRENE SEAL

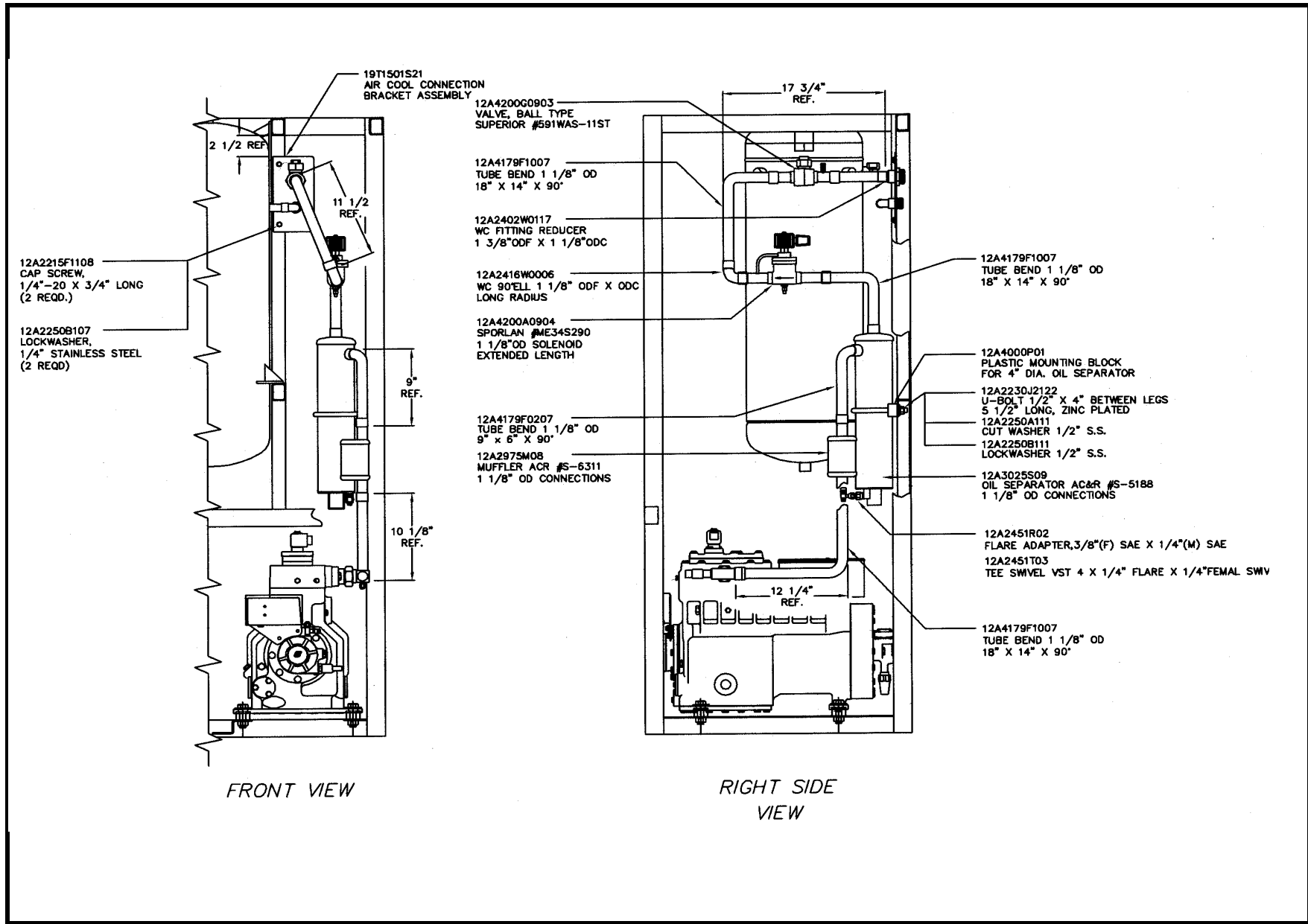
**Superhose & Fittings**

<u>Part Number</u>	<u>Req'd</u>	<u>Description</u>
12A2742S01	1	SUPERHOSE ASSY, 12" LONG, 1/4" <i>High Pressure Switch to Compressor</i>
12A2742S03	1	SUPERHOSE ASSY, 20" LONG, 1/4" <i>Low Pressure Switch to Compressor</i>
12A2742S05	1	SUPERHOSE ASSY, 42" LONG, 1/4" <i>Compressor to Oil Separator</i>
12A2742S06	1	SUPERHOSE ASSY, 54" LONG, 1/4" <i>Freezer Pressure Switch to Freezer</i>
12A2451T01		TEE, WC, 1/4" SAE x 1/4" MPT x 1/4" SAE
12A2451T02		TEE, WC, 1/4" SAE x 1/4" SAE x 1/4" MPT
12A2451T03		TEE SWIVEL 1/4" SAE x 1/4" ACCESS x 1/4" FEMALE SWIVEL
12A2451T04		TEE, BRASS 1/4" MPT x 1/4" SAE x 1/4" ACCESS
12A2451T06		TEE, SWIVEL, 1/4" SWIVEL x 1/4" SAE x 1/4" SAE
12A2451T07		TEE, 1/8" MPT x 1/4" SAE x 1/4" SAE
12A2451T08		TEE, BRASS, 1/4" (M) SAE x 1/4" (M) SAE x 1/4" (F) SAE
12A2451T09		TEE, 1/4" SAE FLARE
12A2451T1		TEE, STREET, BRASS 1/4" MPT X 1/4" FPT x 1/4" FPT
12A2451T11		TEE, 1/8" MPT X 1/4" SAE x 1/4" ACCESS
12A2451U01		UNION, U3-4B, 1/4" SAE x 1/4" FPT
12A2451U02		UNION, WC, BRASS 1/4" SAE x 1/4" ODC
12A2451U05		UNION, WC, 1/4" SAE x 1/4" MPT
12A2451U06		UNION, WC, 1/4" SAE x 1/8" MPT

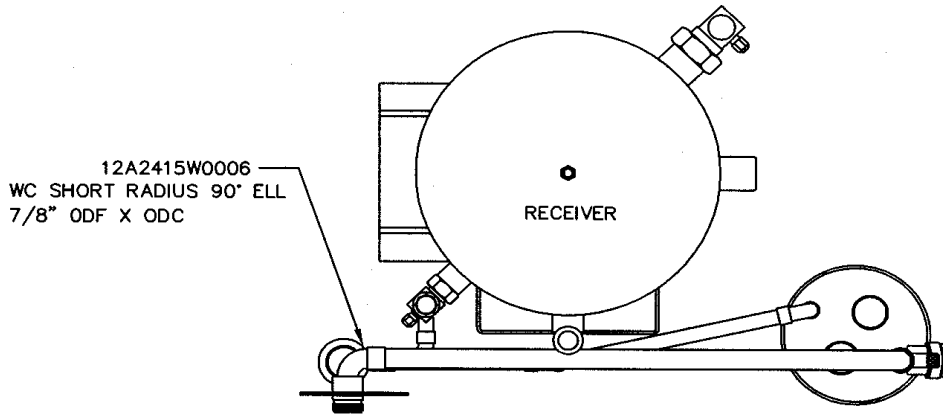
**Goldenrod Water Treatment**

<u>Part Number</u>	<u>Req'd</u>	<u>Description</u>
12A2195W0901	1	GOLDENROD WATER TREATMENT, 9" - 25 GPM - NSF
12A2195I01	2	INSULATOR, DELRON FOR 5", 9", OR 12" GOLDENROD
12A2195W0504	1	DELRON THREADED PLUG FOR GOLDENROD

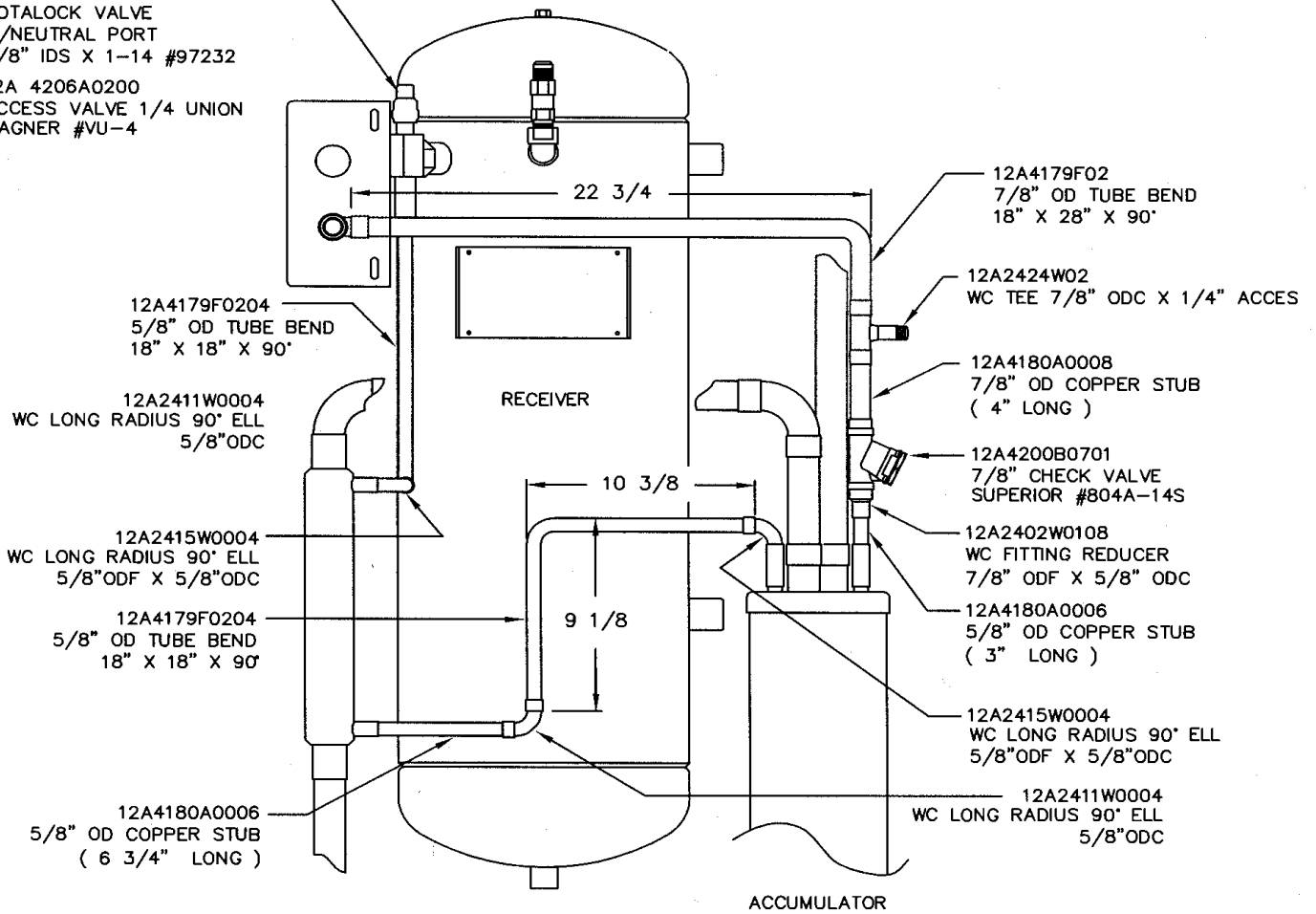
# 03TA Air-Cooled Discharge Line Detail



# 03TA Air-Cooled Liquid Return Detail

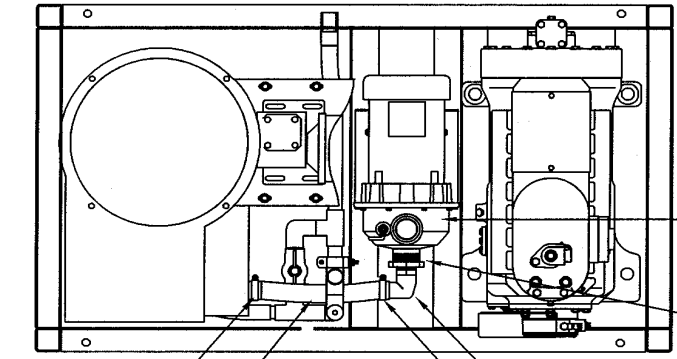


- 12A 4200R0402  
ROTLCK VALVE  
W/NEUTRAL PORT  
5/8" IDS X 1-14 #97232
- 12A 4206A0200  
ACCESS VALVE 1/4 UNION  
WAGNER #VU-4

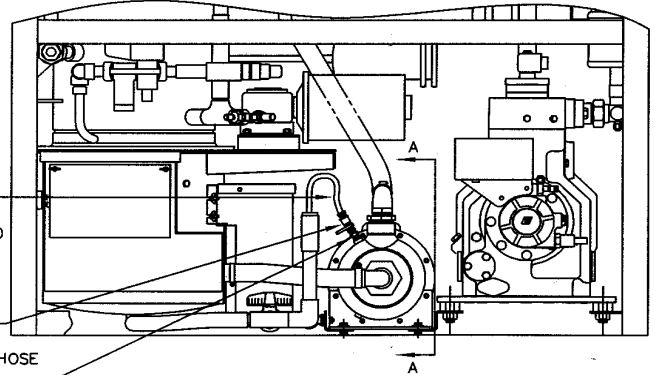


- 12A4179F0204  
5/8" OD TUBE BEND  
18" X 18" X 90°
- 12A2411W0004  
WC LONG RADIUS 90° ELL  
5/8"ODC
- 12A2415W0004  
WC LONG RADIUS 90° ELL  
5/8"ODF X 5/8"ODC
- 12A4179F0204  
5/8" OD TUBE BEND  
18" X 18" X 90°
- 12A4180A0006  
5/8" OD COPPER STUB  
( 6 3/4" LONG )
- 12A4179F02  
7/8" OD TUBE BEND  
18" X 28" X 90°
- 12A2424W02  
WC TEE 7/8" ODC X 1/4" ACCES
- 12A4180A0008  
7/8" OD COPPER STUB  
( 4" LONG )
- 12A4200B0701  
7/8" CHECK VALVE  
SUPERIOR #804A-14S
- 12A2402W0108  
WC FITTING REDUCER  
7/8" ODF X 5/8" ODC
- 12A4180A0006  
5/8" OD COPPER STUB  
( 3" LONG )
- 12A2415W0004  
WC LONG RADIUS 90° ELL  
5/8"ODF X 5/8"ODC
- 12A2411W0004  
WC LONG RADIUS 90° ELL  
5/8"ODC

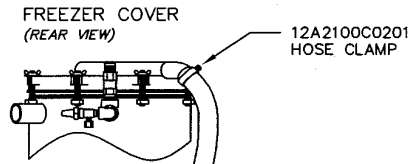
# 03TA Circulating Water Detail



TOP VIEW



FRONT VIEW



12A4020G01 WATER PUMP, GOULD NPE-3ST 2" SUCTION X 1 1/2" DISCHARGE

12A2450B12 PVC BUSHING 2" MPT X 1 1/4" FPT

12A2450E17 PVC 90° ELL 1 1/4" MPT X INSERT

12A2100C0201 HOSE CLAMP

12A2450E17 PVC 90° ELL 1 1/4" MPT X INSERT

12A2450B02 PVC BUSHING 1 1/2" MPT X 1 1/4" FPT

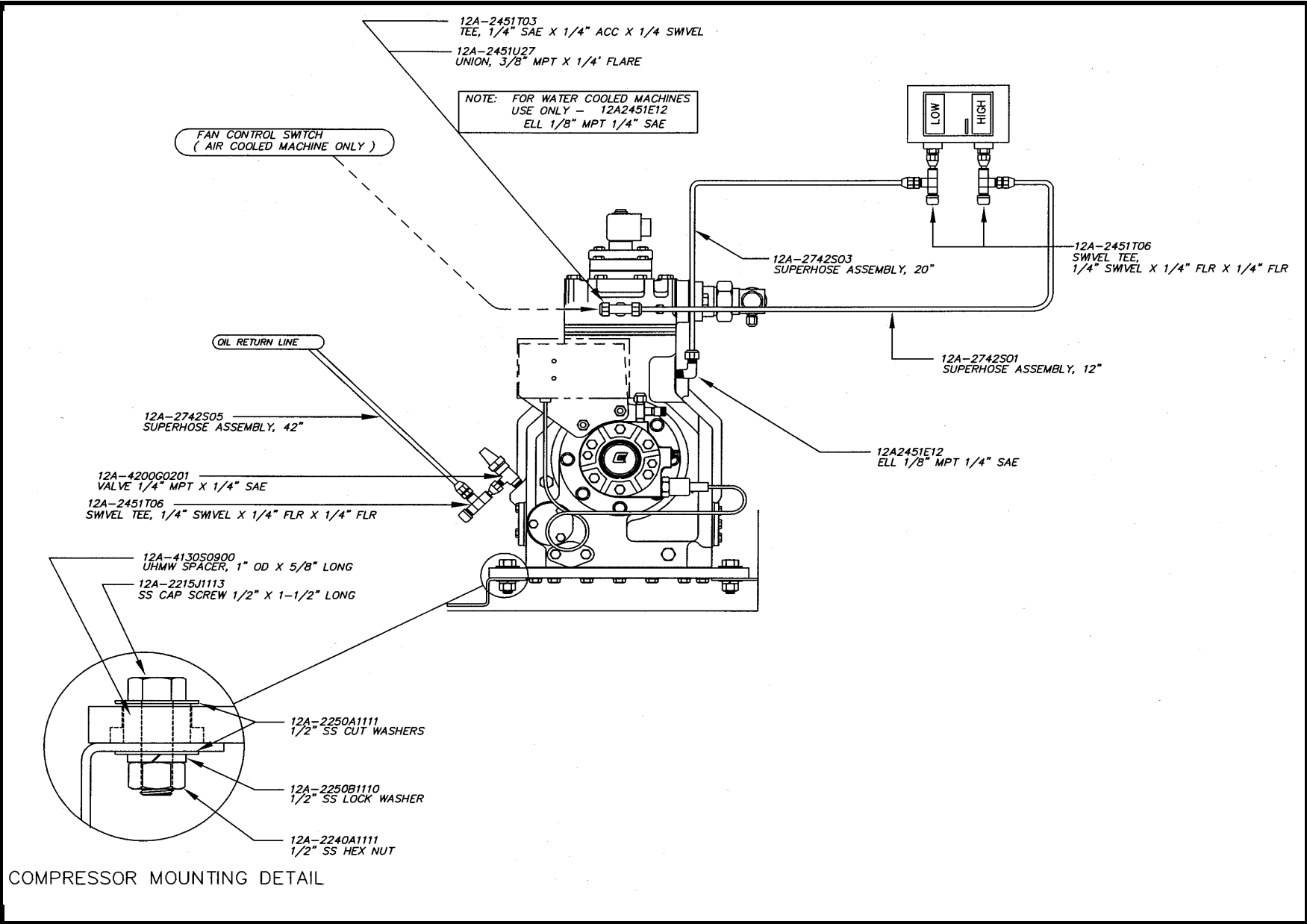
12A2100C0201 HOSE CLAMP

12A4181T06 TYGON TUBING 1 1/4" ID X 1 1/2" OD

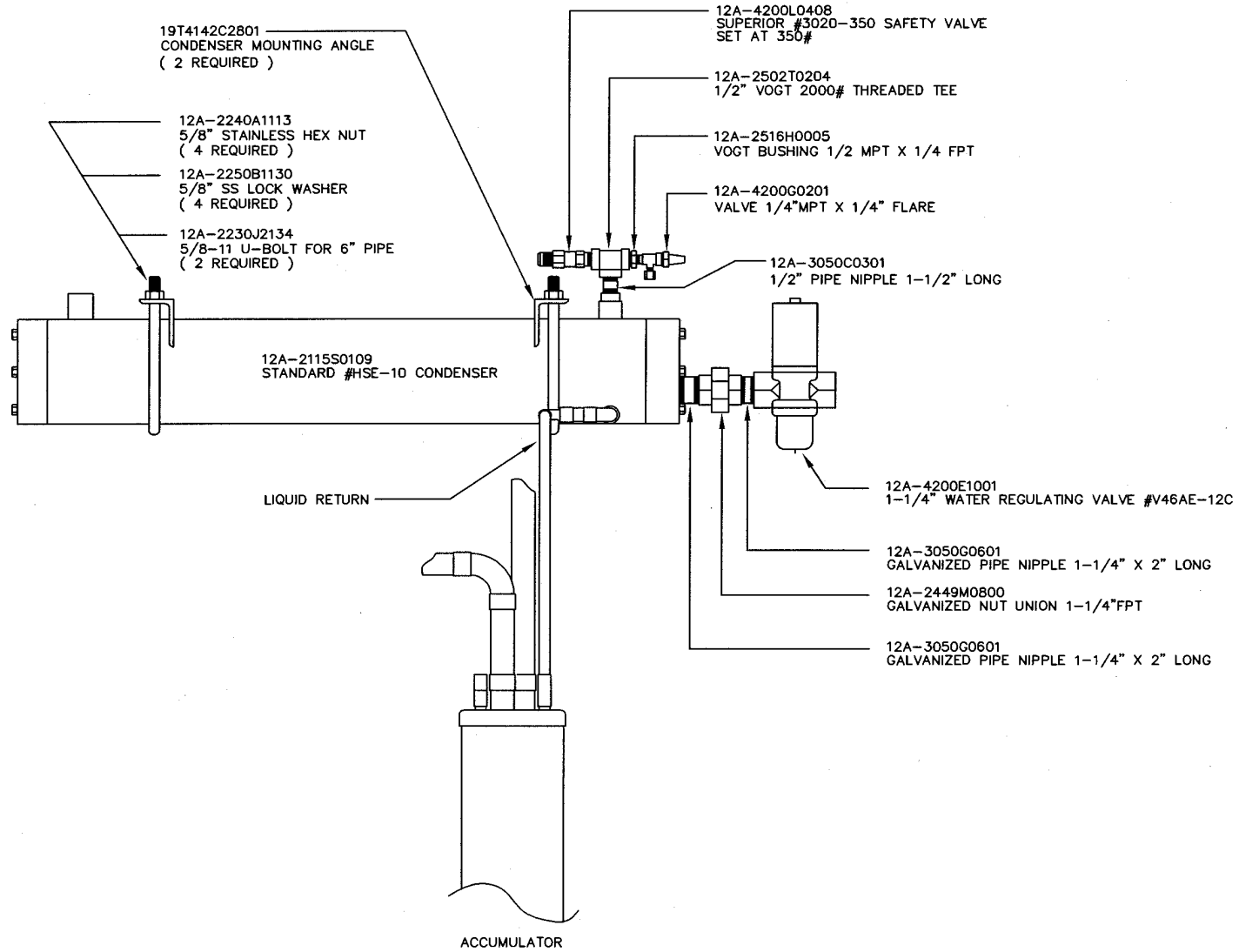
12A2215H1108 CAP SCREW 3/8-16NC X 3/4" LG. (4 REQD)

VIEW "A-A"

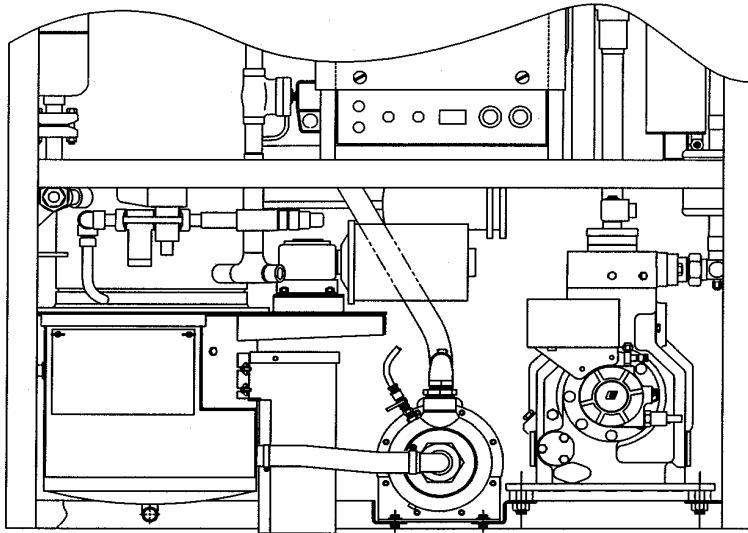
# 03TA Compressor Parts Detail



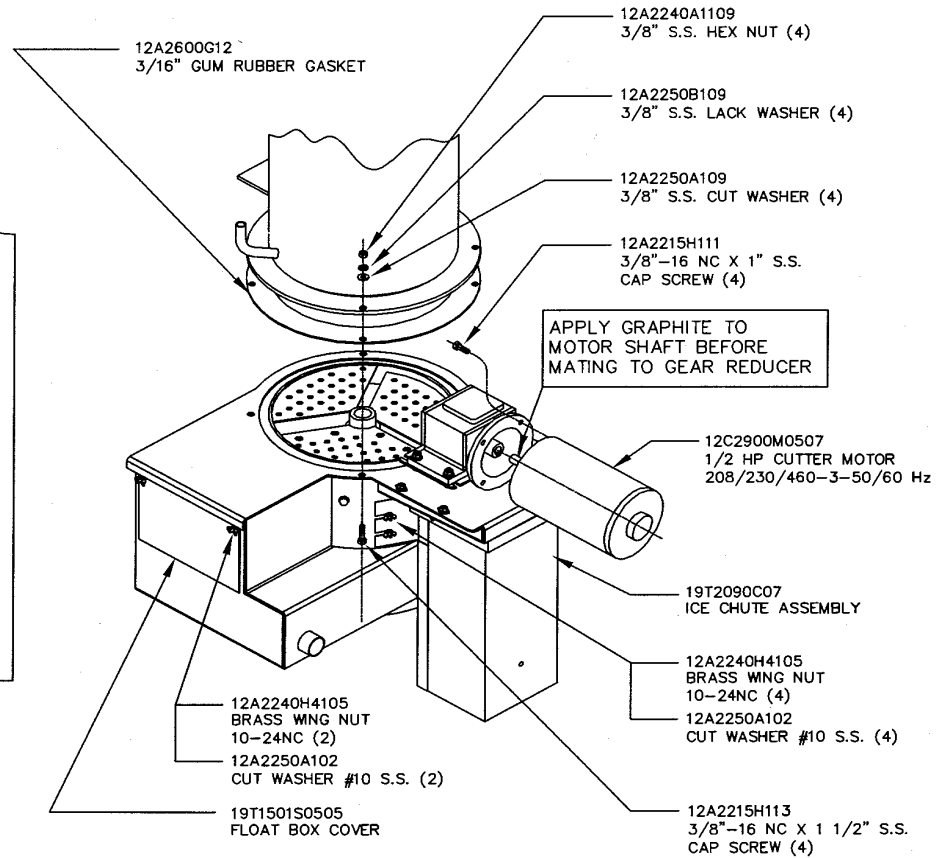
## 03TA Condenser Parts Detail



# 03TA Cutter/Tank Detail

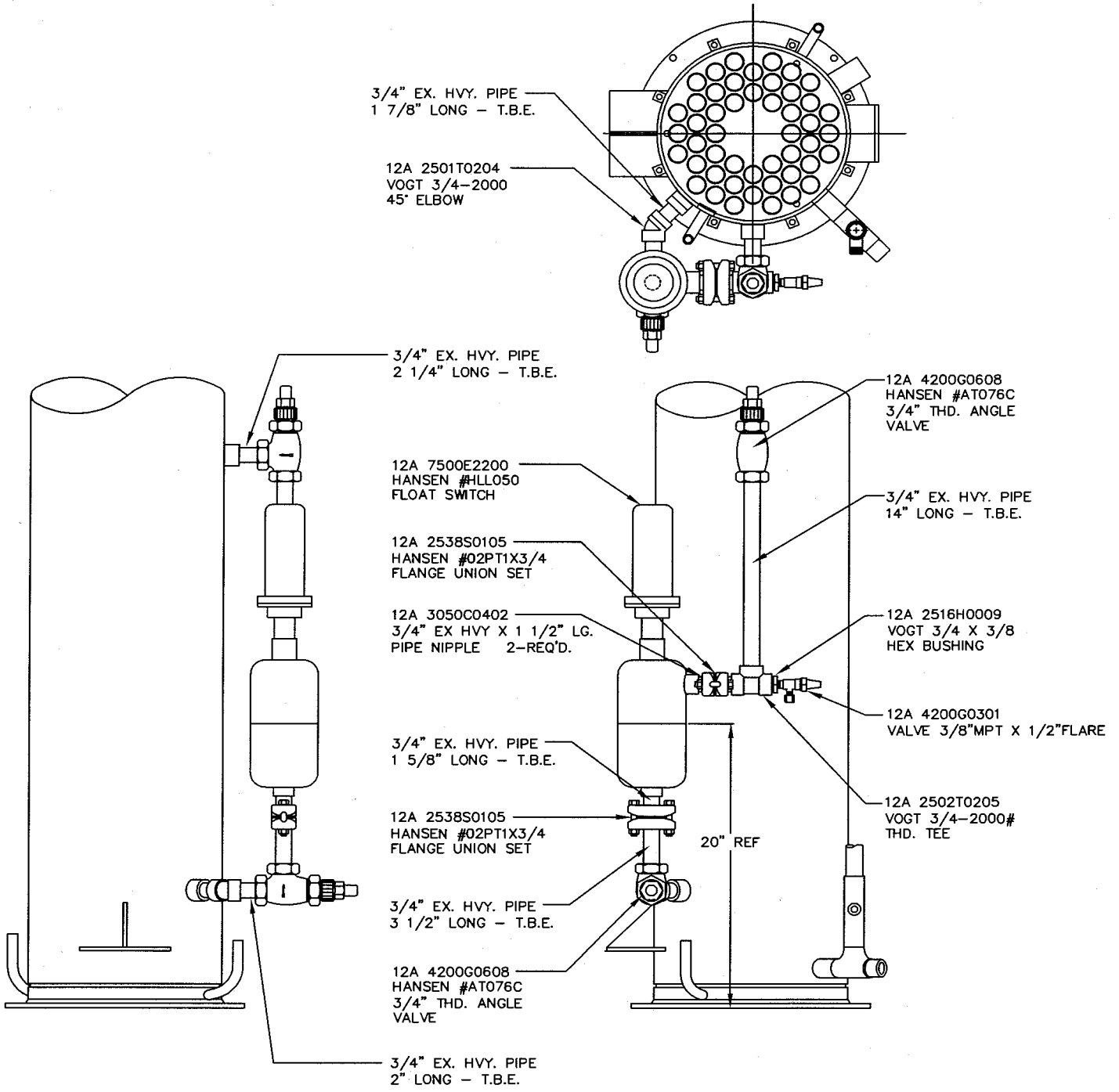


PARTIAL FRONT VIEW  
(BLOWDOWN NOT SHOWN)



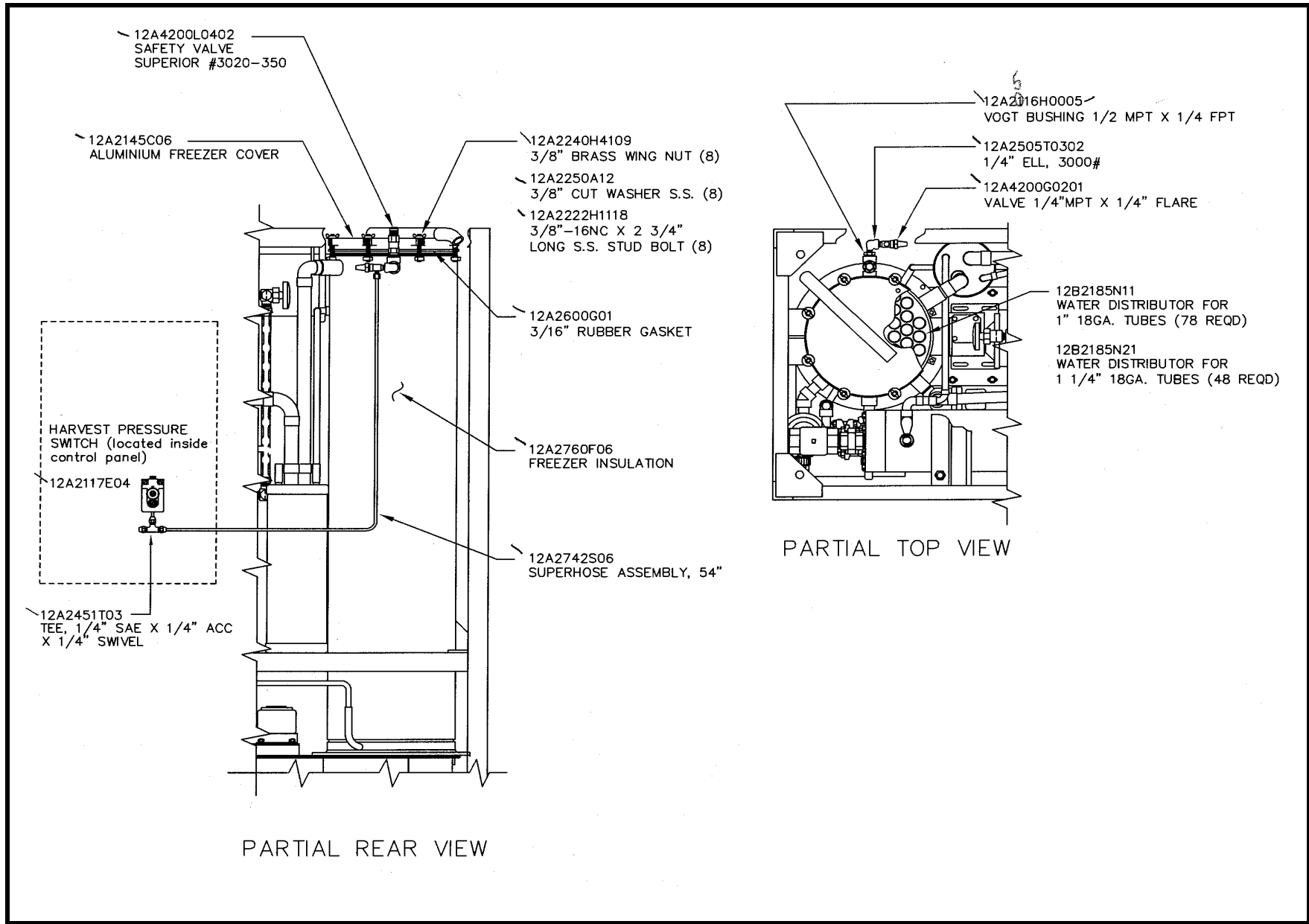
ISOMETRIC VIEW

# 03TA Float Switch Detail

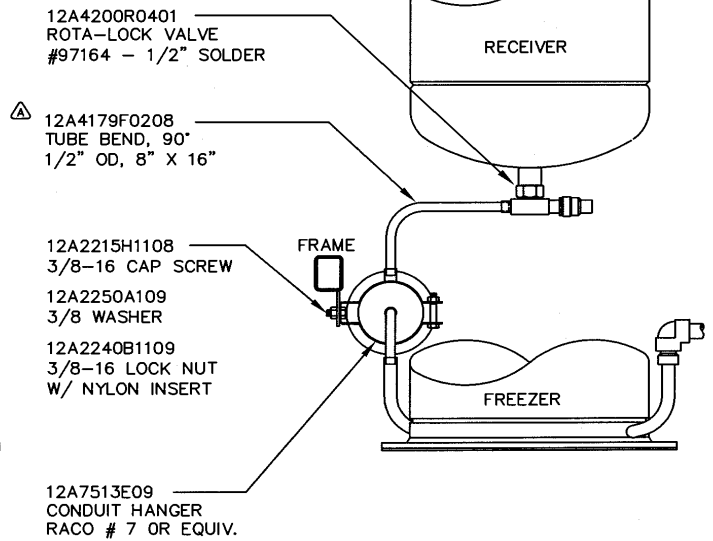
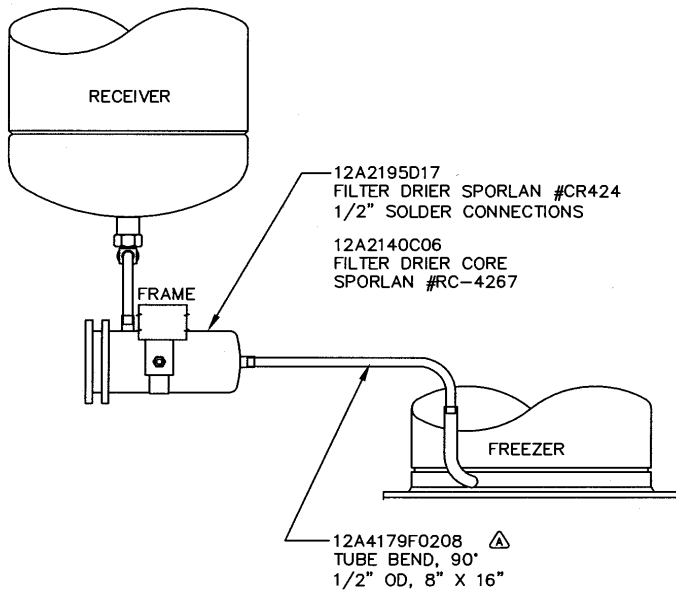
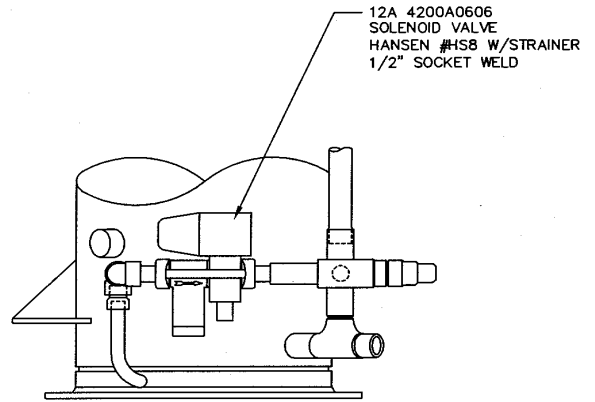
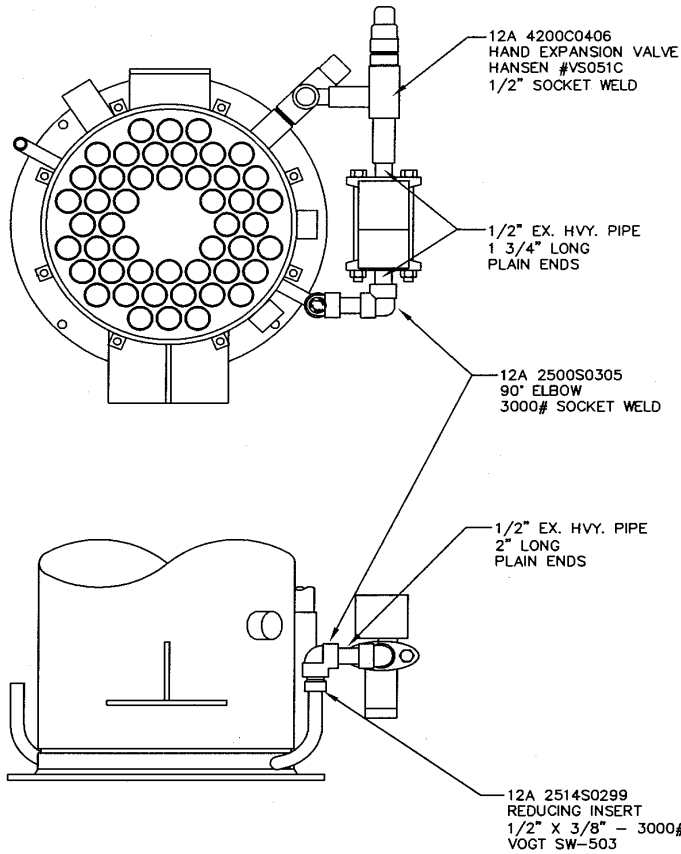




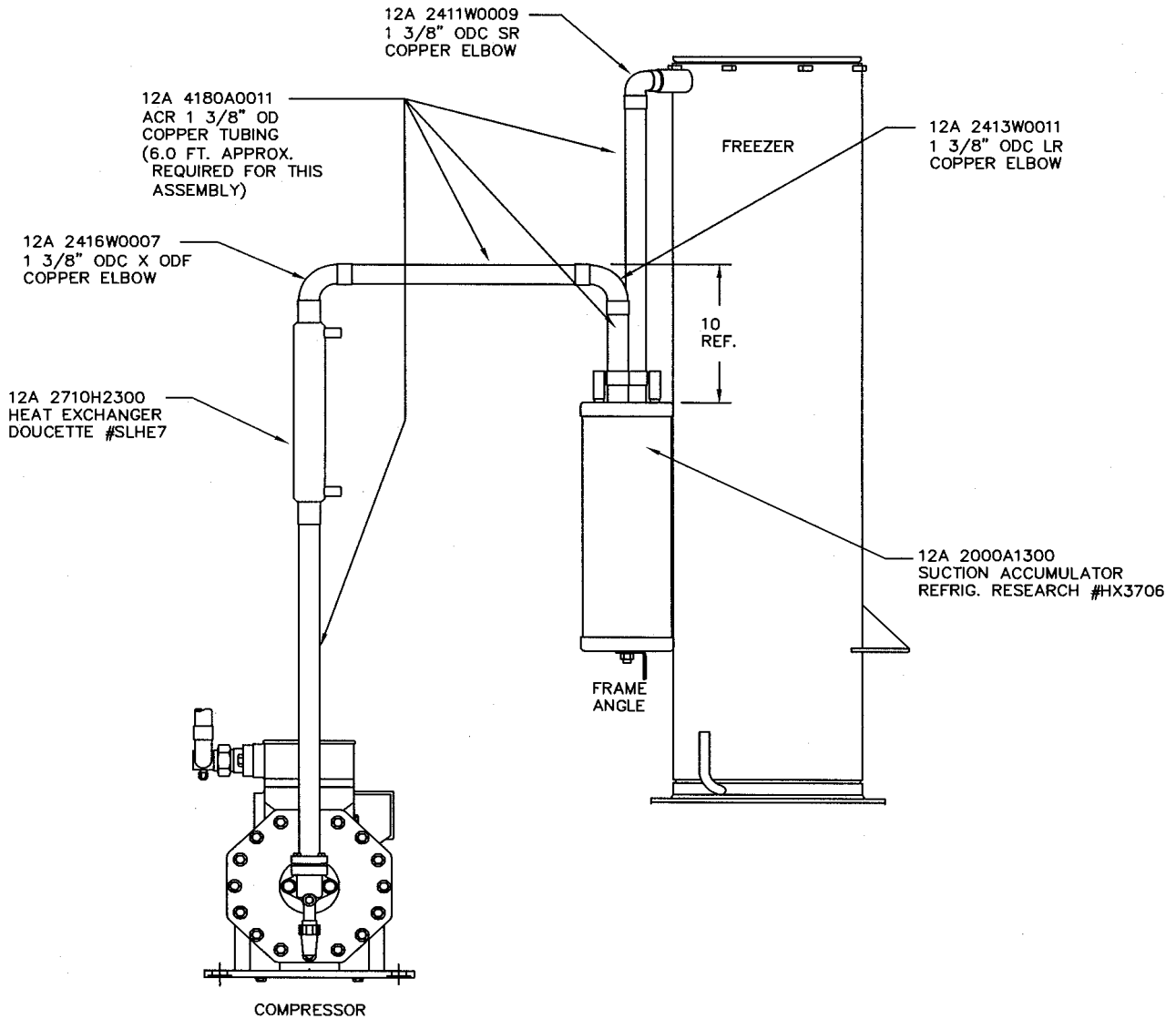
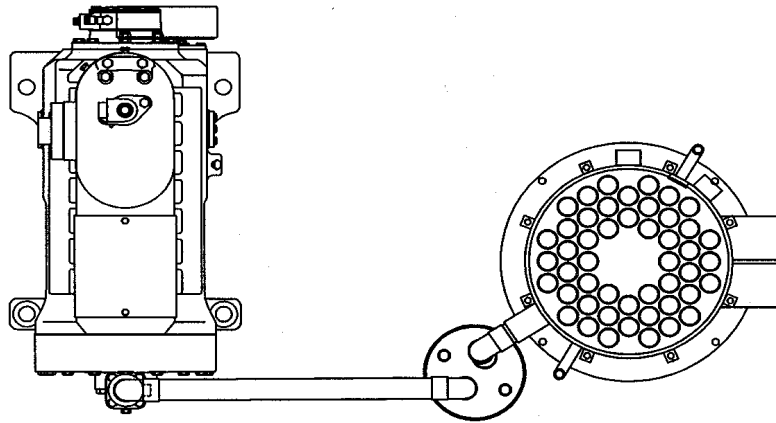
## 03TA Freezer Parts Detail



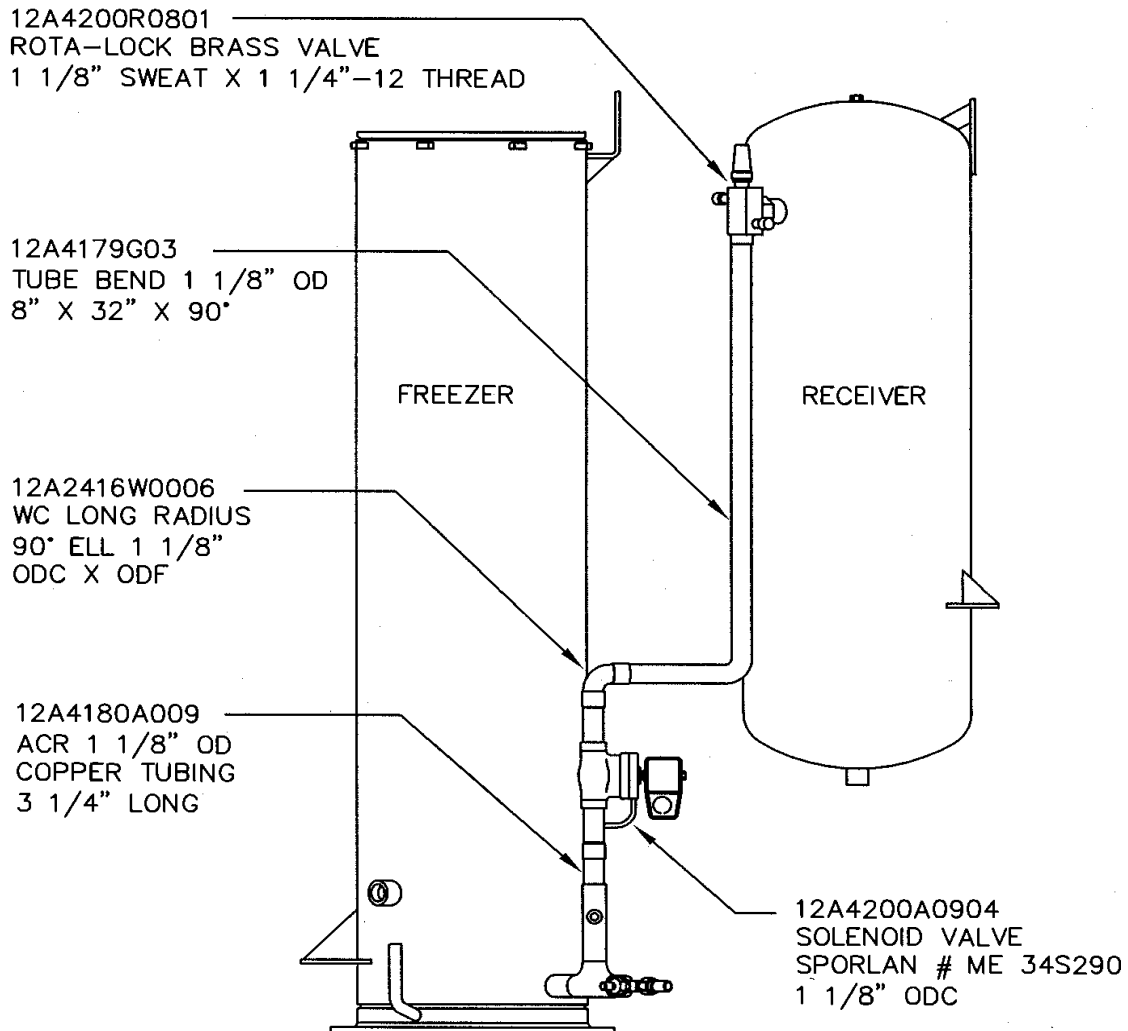
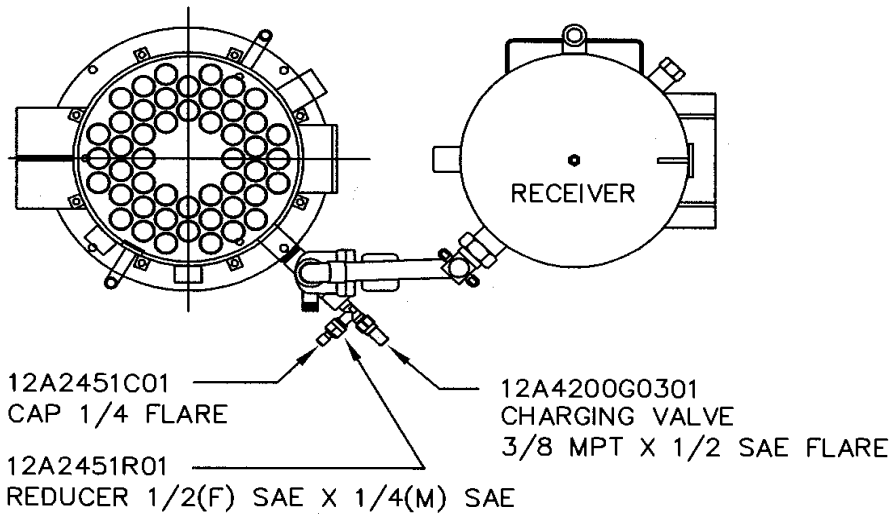
# 03TA Liquid Line Detail



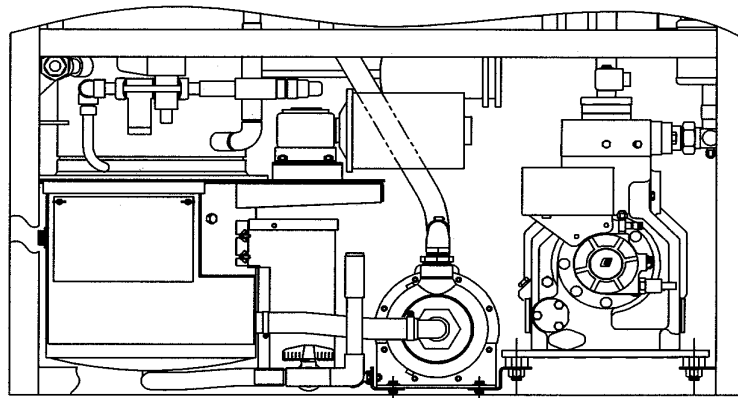
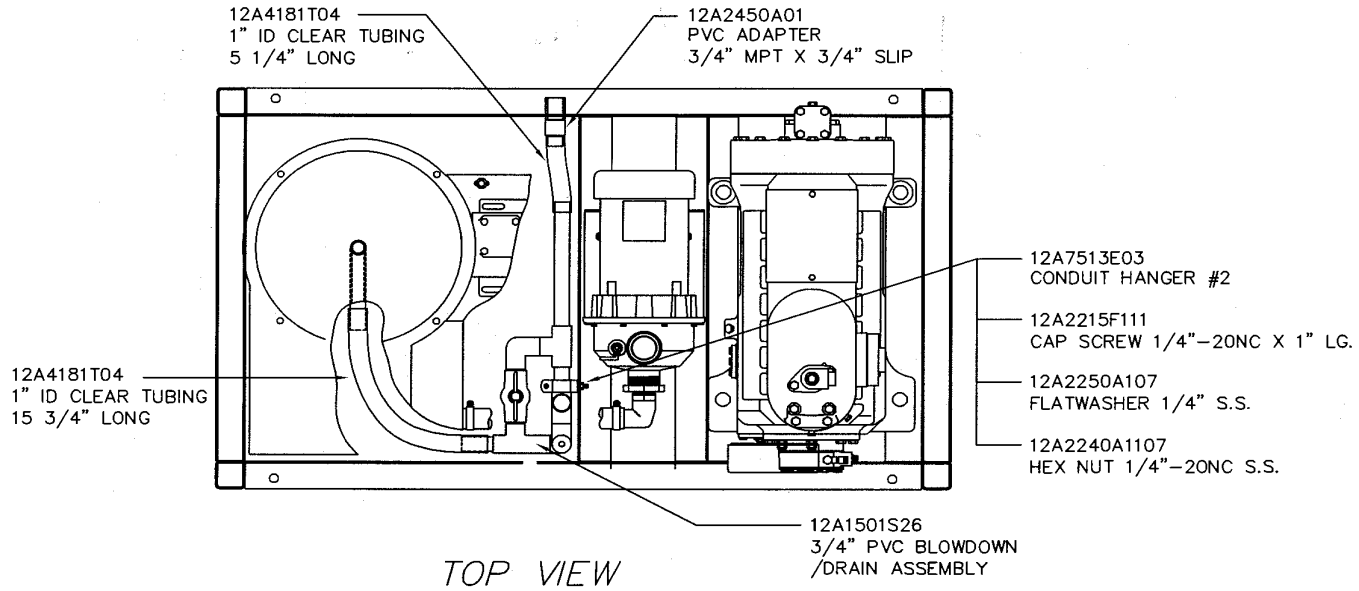
# 03TA Suction Line Detail



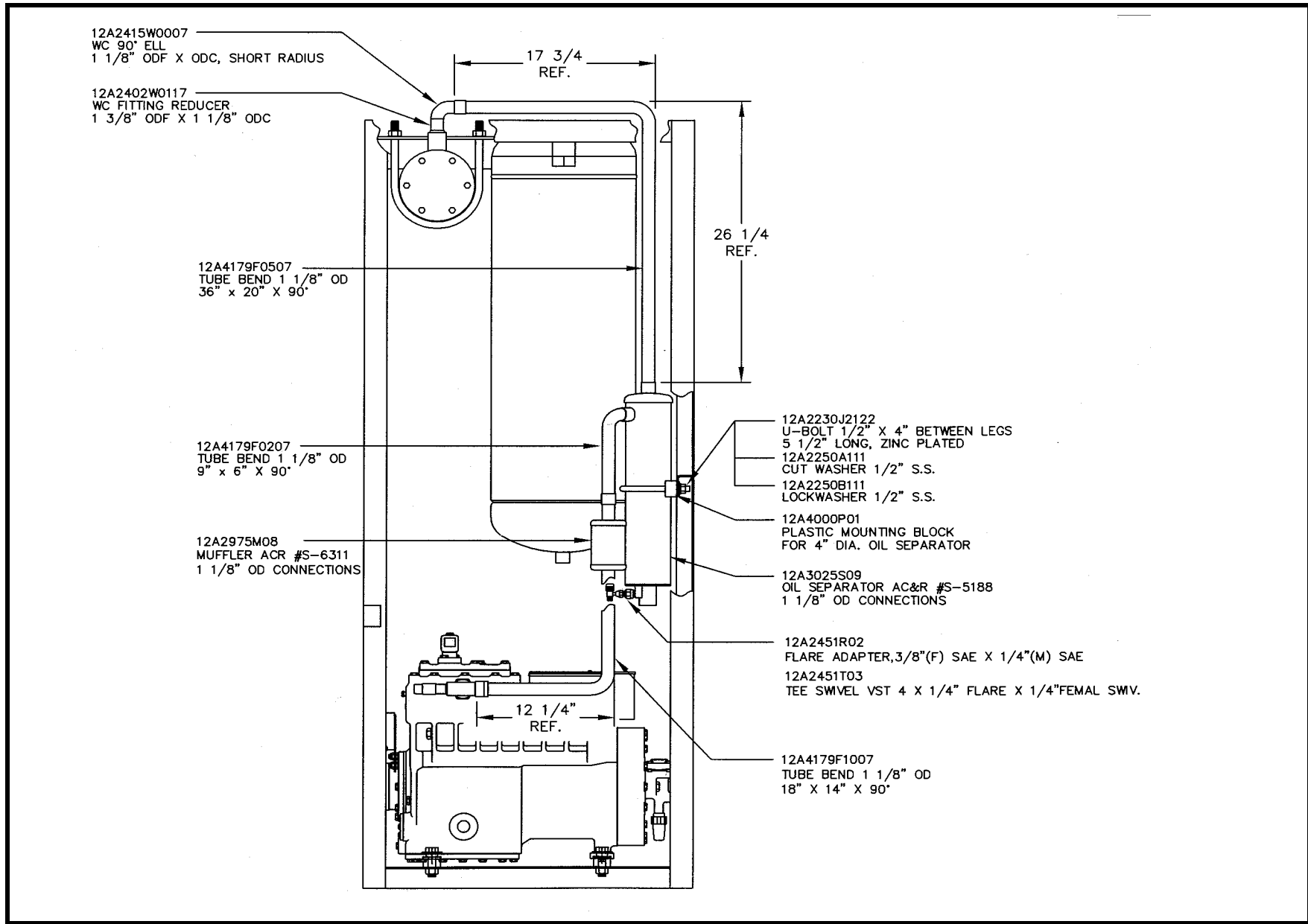
### 03TA Thawing Gas Line Detail



# 03TA Water Tank Drain Detail



## 03TA Water-Cooled Discharge Line Detail



# 03TA Water-Cooled Liquid Return Detail

